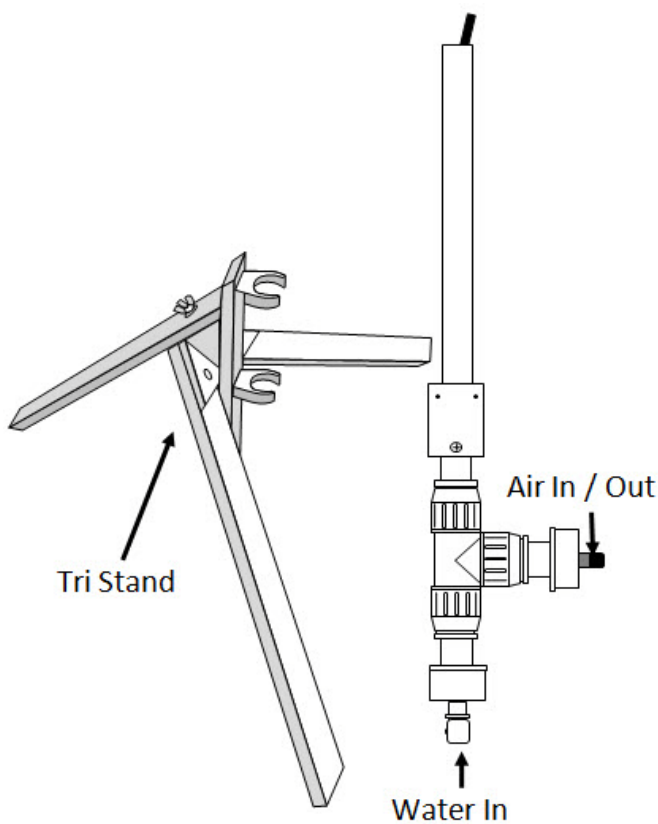




Problem: - "CAN'T FILL MY WATER ROCKET WITH WATER"

Remedy: Using the Fullbore tri-launcher ¹ ...



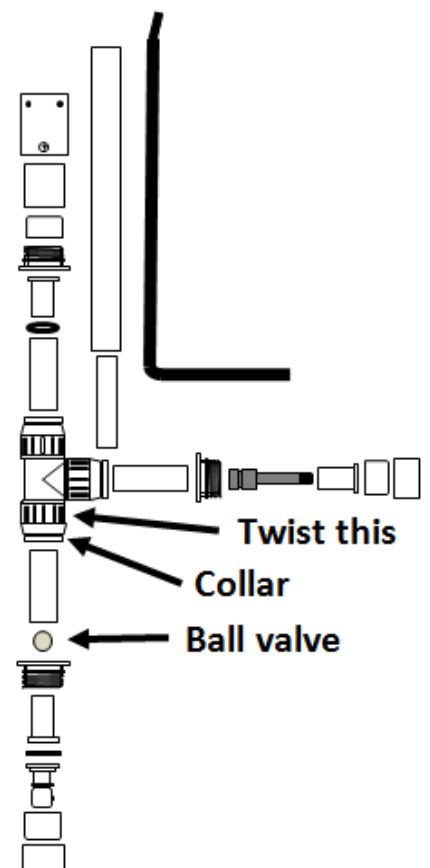
Check you have disconnected the air line or pump from the air inlet valve. This allows the air out of the water rocket as the water comes in, otherwise the air pressure will not allow the water inside. A good way to see if this is the problem, is to take the rocket off and see if the water flows out the top of the launch tube.

Check that there is a good supply of water to the connector that goes to the water inlet valve on the bottom of the launcher.

Check the connector is correctly fitted to the water inlet on the base of the water rocket launcher and not too loose as this will not allow the water up into the water rocket on the launcher.

There maybe another problem inside the launcher with the ball valve sticking. Try and

increase the water pressure going into the rocket by lifting the water container higher if possible. Else, get a straw and push the ball inside the base of the launcher up and check that it is free moving by turning the launcher upside down then upright again. If that didn't work then twist the joint illustrated on the right and push the collar down while you pull on the water inlet. Watch out for the ball as it may fall out! Check the ball is okay and it has some Vaseline all over it, then replace the ball inside the tube and push the water inlet section back into the joint and retighten.



¹ If there are any problems then please e-mail fullbore@rocket-fun.com and we will try and get back to you as soon as we can.